



71R/72R Series Twin Cylinder Compressor

MODELS 71R642

100 PSI MAX. PRESSURE, 3.5 CFM OPEN FLOW (60 HZ)

MODELS 71R645/71R655

100 PSI MAX. PRESSURE, 4.35 CFM OPEN FLOW (60 HZ)

MODELS 72R645/72R655

15 PSI MAX. PRESSURE, 5.5 CFM OPEN FLOW (60HZ)



PRODUCT FEATURES

- Oilless operation
- All wetted aluminum parts treated for corrosion protection from moisture
- Rugged motor shell construction

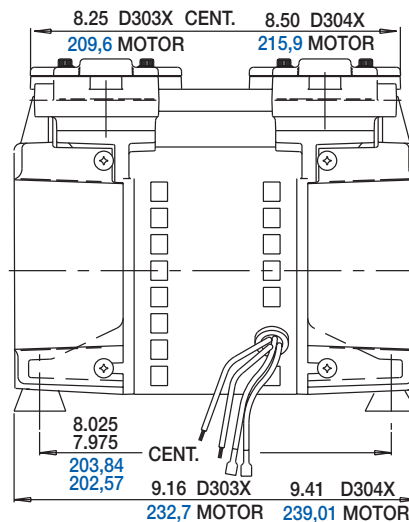
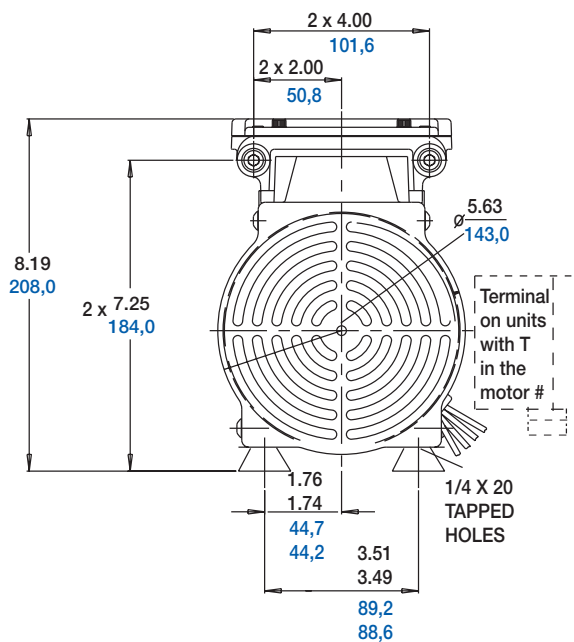
INCLUDES

- Dry-cell capacitor AT250 (D303X Motor), AT251 (D304X Motor), AT546A (D401X Motor), AT367 (D501X and D402CX Motor) - not pictured, shipped unattached
- Rubber feet (4) AF713A

RECOMMENDED ACCESSORIES

- Relief valve AA600
- Pressure gauge AA644B
- Repair Kit 71R K557/72R K558

Product Dimensions (Inches, mm)





Oilless Rocking Piston 5.5 cfm



Product Specifications

Model Number	Motor	Motor Type	RPM		HP	kW	Wt	
			60 Hz	50 Hz			lbs.	Kg
•71R645-P112-D303X	115-60-1	PSC (4 pole)	1650	--	1/3	0,25	15,6	7,09
•71R655-P112-D304X	220-240-50-1	PSC (4 pole)	--	1425	1/3	0,25	16,0	7,27
•72R645-P112-D303X	115-60-1	PSC (4 pole)	1650	--	1/3	0,25	15,6	7,09
•72R655-P112-D304X	220-240-50-1	PSC (4 pole)	--	1425	1/3	0,25	16,0	7,27
•71R647-P112-D401X	115-60-1	PSC (4 pole)	1650	--	1/2	0,37	15,6	7,09
•71R642-P112-D501X	100-115/60-1 100/50-1	PSC (4 pole)	1650 --	-- 1425	3/4	0,37	15,6	7,09
•71R645-P112D-D402CX	220/230/60-1 220-240/50-1	PSC (4 pole)	1650 --	-- 1425	1/2	0,37	15,6	7,09

• Units shipped with capacitor

Product Performance (U.S./ Imperial, Metric)

Dotted line indicates intermittent duty.

